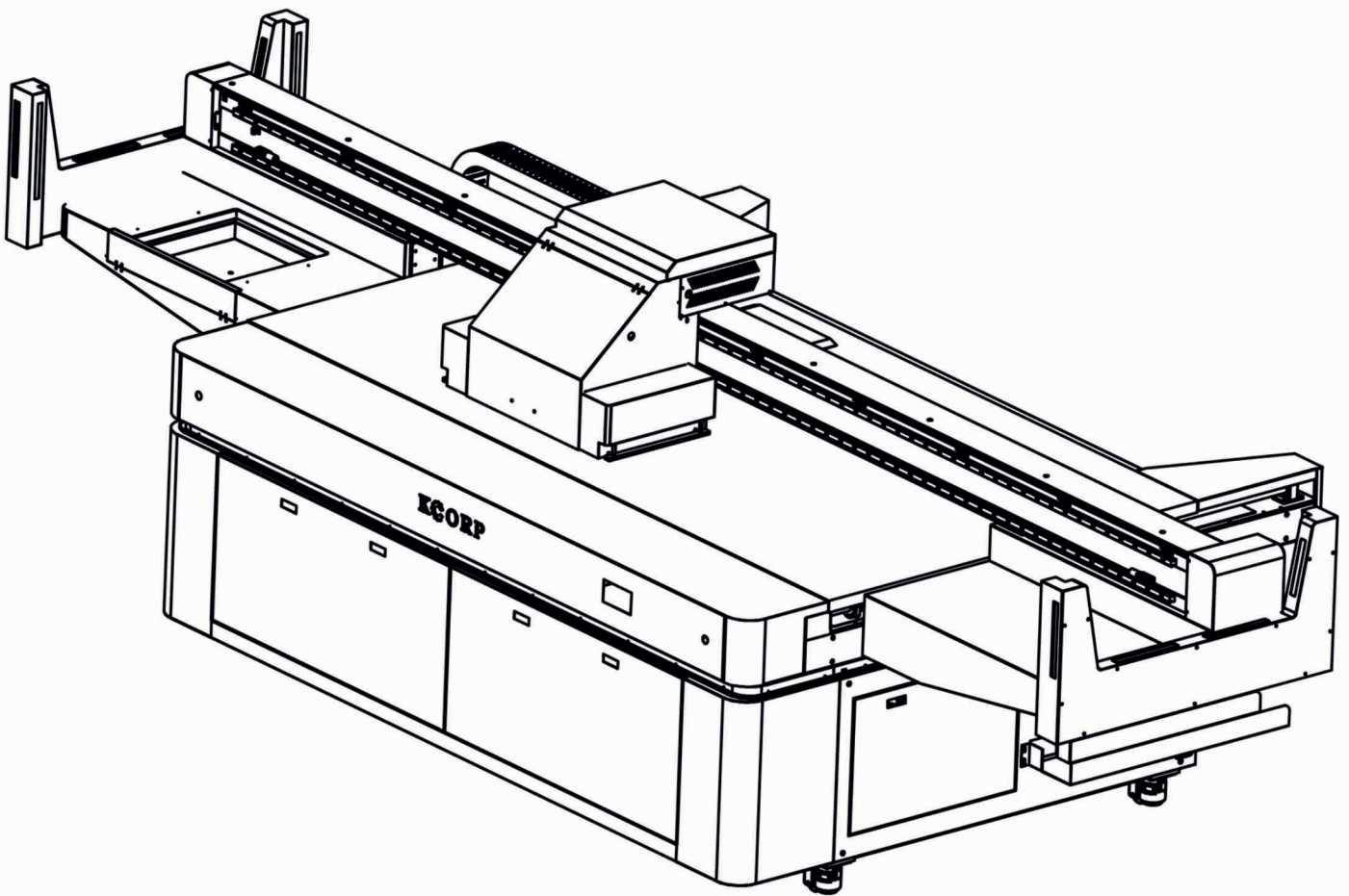


UV FLATBED PRINTING MACHINES

One trusted source, endless possibilities!



High Embossed | Metallic Foil |
Varnish | White | CMYK | Neon

I
N
D
E
X

PRODUCTS

PAGE

VJTOOLS UV FLATBED
PRINTER- 6090

3

VJTOOLS UV FLATBED
PRINTER- 6090
INDUSTRIAL

6

VJTOOLS UV FLATBED
INDUSTRIAL
PRINTER- 1313

9

VJTOOLS UV FLATBED
INDUSTRIAL PRINTER
2513

12

APPLICATIONS

15





VJTOOLS FLATBED PRINTER - 6090



Technical Parameters

Model	VJTOOLS 3D Foil Printer - 6090
Print Head	EPSON
No. of Print Head	3
Print Mode	CMYK LC LM + W + V
Print Size	600 mm x 900 mm
Print Speed	4 Pass : 3 - 4 sqm/h 6 Pass : 2 - 3 sqm/h 8 Pass : 2 - 2.5 sqm/h
Print Resolution	4 Pass : 720 x 1200 DPI 6 Pass : 720 x 1800 DPI 8 Pass : 720 x 2400 DPI
Media Type	Glass, Acrylic, Wood, Ceramic, Metal Sheet, PVC Sheet, Plastic etc.
Media Thickness	Max. 200mm, Customizable upto 400 mm
Curing System	UV Ink, LED Curing System
File Format	TIFF / JPEG / POSTSCRIPT3 / PDF
RIP Software	RIPrint
Data Connector	USB 3.0

Technical Parameters

Power	220V AC, 50/60HZ
Power Consumption	1 KW
Environment Requirement	Separated, clean, low dust, well-ventilated
Working Temperature	20°C - 28°C
Relative Humidity	40% - 60%
Machine Size / N.W.	1.72 m x 1.75 m x 0.85 m, 280 kg
Packing Size / G.W.	1.8 m x 1.8 m x 1 m, 360 kg



VJTOOLS FLATBED PRINTER - 6090 INDUSTRIAL



Technical Parameters

Model	VJTOOLS 3D Foil Printer - 6090 Industrial
Print Head	EPSON Industrial Grade Print Head
No. of Print Head	3
Print Mode	CMYK+W+V
Print Size	600 mm x 900 mm
Print Speed	4 Pass : 6 - 9 sqm/h 6 Pass : 5 - 7 sqm/h 8 Pass : 3 - 4 sqm/h
Print Resolution	4 Pass : 720 x 1200 DPI 6 Pass : 720 x 1800 DPI 8 Pass : 720 x 2400 DPI
Media Type	Glass, Acrylic, Wood, Ceramic, Metal Sheet, PVC Sheet, Plastic etc.
Media Thickness	Max. 100 mm, Customizable upto 400 mm
Curing System	UV Ink, LED Curing System
File Format	TIFF / JPEG / POSTSCRIPT3 / PDF
RIP Software	RIPrint
Data Connector	USB 3.0

Technical Parameters

Power	220V AC, 50/60HZ
Power Consumption	1 KW
Head Cleaning	Automatic by Program / Positive Pressure Clean
Working Temperature	20°C - 28°C
Relative Humidity	40% - 60%
Machine Size / N.W.	1.72 m x 1.75 m x 0.85 m, 280 kg
Packing Size / G.W.	1.8 m x 1.8 m x 1 m, 360 kg



VJTOOLS FLATBED INDUSTRIAL PRINTER 1313



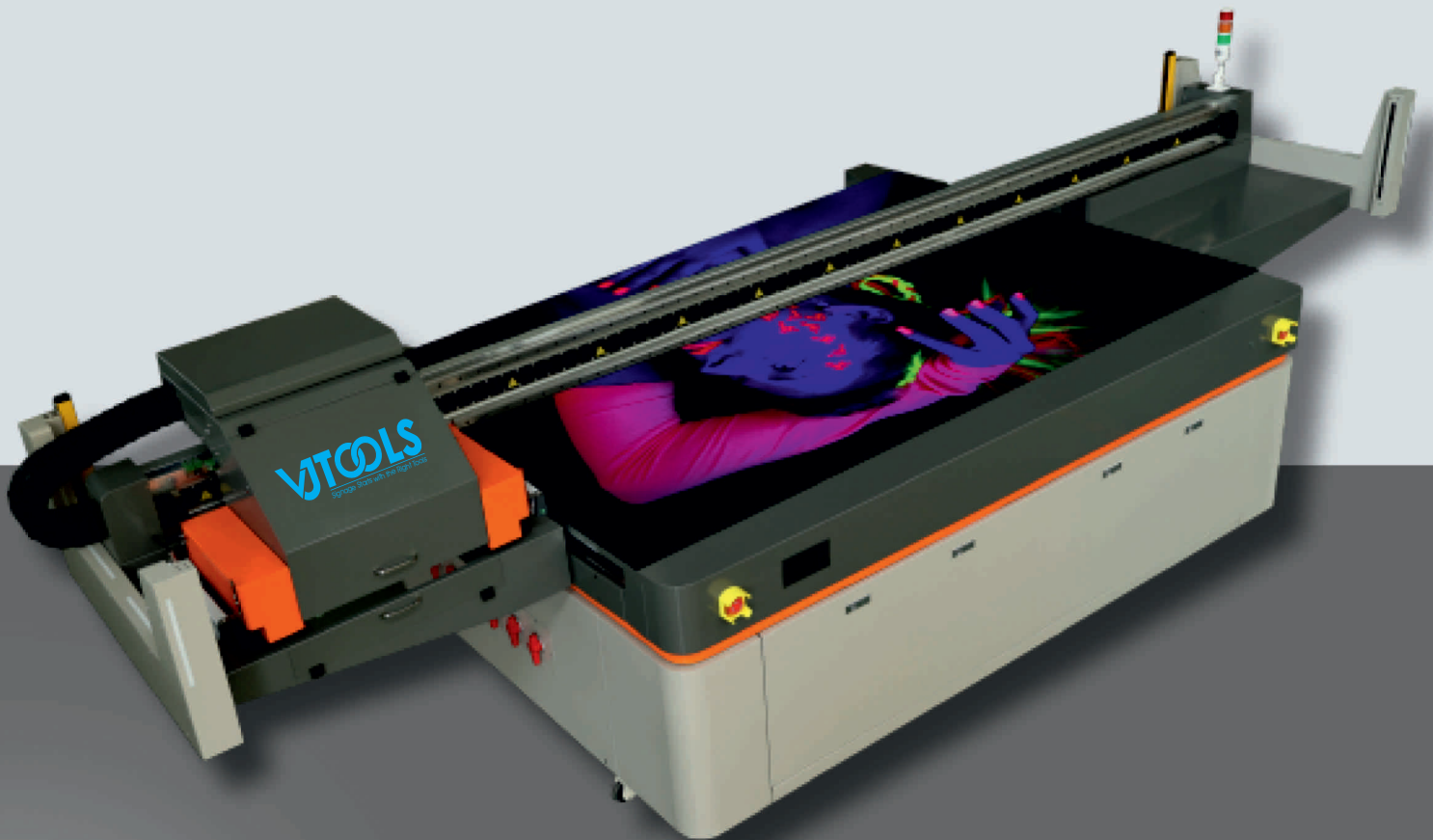
Technical Parameters

Curing System	LED Curing System
Head Cleaning	Automatic by Program / Positive Pressure Clean
Height Detection	Semi-Automatic sensor
Print Media	Glass, Ceramic, Acrylic, Metal, Leather, Plastic, Wood, PVC .. etc
PC Configuration	Win7/ Win10, 64 bit, CPU≥ i5, RAM ≥8GB, Space for Disk C≥100G
Signal Transmission	Optical Fiber + USB 3.0
Color Control	Comply with ICC standards, with curve and density adjustment function
File Format	TIFF/ JPEG/ POSTSCRIPT3/ PDF
Power Supply	AC220V,50/ 60HZ
Working Power	1.5 KW
Noise	Standby < 32 dB ; Working < 65 dB
Machine Size	2.68 m x 1.78 m x 1.15 m
Net Weight	480 KG

Technical Parameters

Print Format	130 x 130 cm
Print Height	10 cm
Head Model	EPSON Industrial Grade Print Head
Color Set	CMYK+W, CMYK+V, CMYK+W+V, CMYK+LM+LC+W+V
Control System	HOSON / KNFUN
RIP Software	RIPrint / UnitedFancy
Print Direction	Uni/ Bi-directional, Front/ Rear Alternative
Resolution	4 PASS : 720 x 720 dpi 6 PASS : 720 x 1080 dpi 8 PASS : 720 x 1440 dpi
Print Speed	Production mode : 8-10 sqm/h Quality mode : 6-8 sqm/h (12 min/Table) High resolution mode : 4-6 sqm/h
Heavy Duty Frame	Strengthened Aluminum beam
Driving Mode	HIWIN linear rail + Servo motor + Lead screw + Import Drag chain
Work Table	Anodized aluminum Table +Vaccum Motor
Ink System	Continuous Ink supply + White Ink stirring and circulation + Ink-lack Warning

VJTOOLS



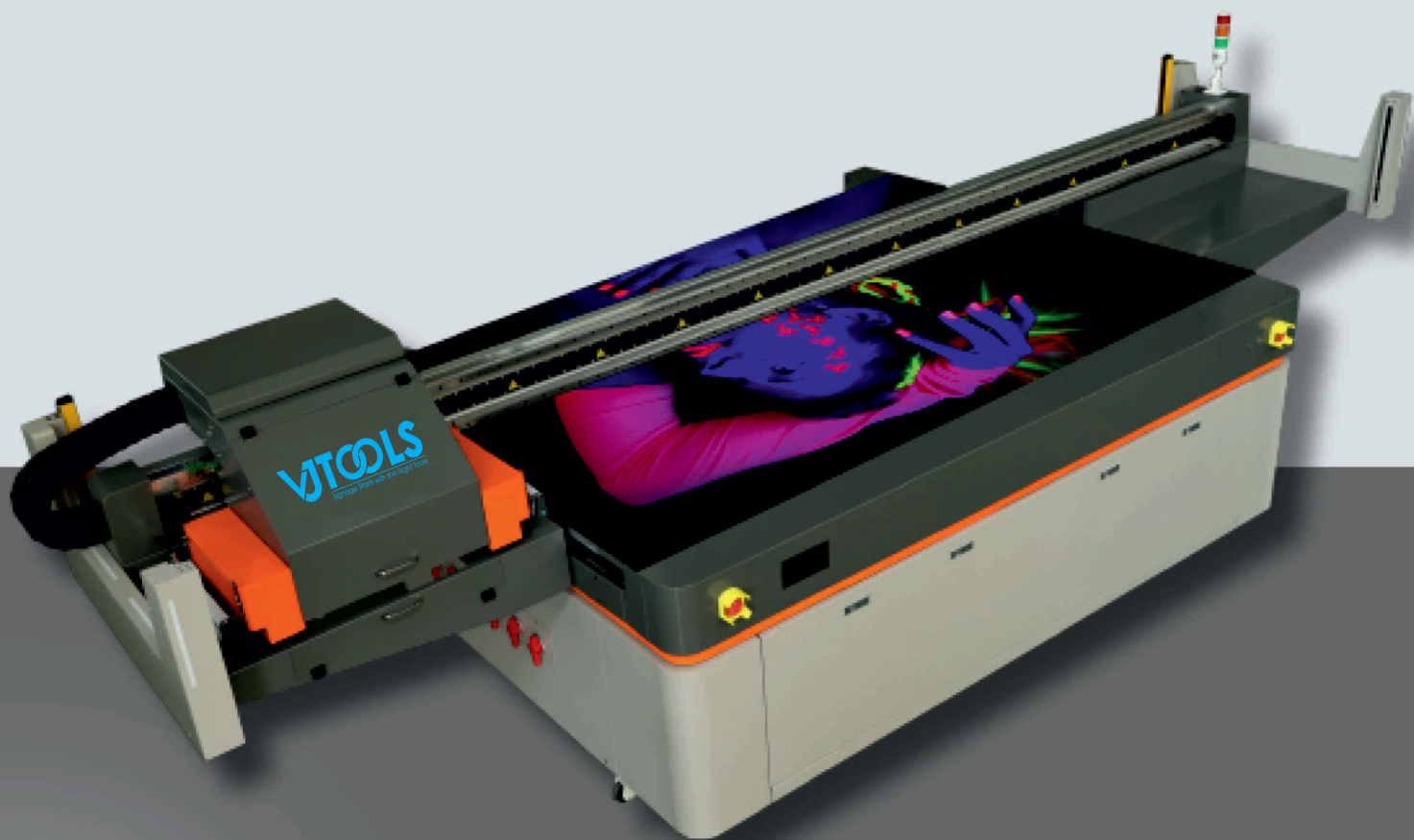
Technical Parameters

Model	KCORP UV FlatBed Printer - 2513	
Print Head	EPSON Industrial Grade Print Head	
No. of Print Head	3-8 ph	
Print Mode	4C + W + V	
Print Size	2500 mm x 1300 mm	
Print Speed	4 Pass: 10 sqm/h 6 Pass : 8.5 sqm/h 8 Pass : 7.0 sqm/h	4 Pass : 20 sqm/h 6 Pass :16 sqm/h 8 Pass : 14 sqm/h
Print Direction	Uni-directional / Bi-directional	
Media Type	Glass, Acrylic, Wood, Ceramic, Metal Sheet, PVC Sheet, Plastic etc.	
Media Thickness	Max. 100 mm	
Curing System	LED Curing System	
File Format	TIFF / JPEG / POSTSCRIPT3 / PDF	
RIP Software	RIPrint/ UNITEDFANCY	
Data Connector	USB 3.0	

Technical Parameters

Print Resolution	4 Pass : 720 x 600 DPI 6 Pass : 720 x 900 DPI 8 Pass : 720 x 1200 DPI
Power	220V AC, 50/60HZ
Power Consumption	3.5 KW
Head Cleaning	Automatic by Program / Positive Pressure Clean
Working Temperature	20°C - 28°C
Relative Humidity	40% - 60%
Machine Size / N.W.	4.6 m x 2.0 m x 1.45 m, 1200 kg
Packing Size / G.W.	4.7 m x 2.3 m x 1.65 m, 1600 kg





Technical Parameters

Model	KCORP UV FlatBed Printer - 2513	
Print Head	SEIKO Industrial Grade Print Head	
No. of Print Head	4-8 ph	
Print Mode	4C + W + V	
Print Size	2500 mm x 1300 mm	
Print Speed	4 Pass: 20 sqm/h 6 Pass :16 sqm/h 8 Pass : 14 sqm/h	4 Pass : 35 sqm/h 6 Pass :24 sqm/h 8 Pass : 21 sqm/h
Print Direction	Uni-directional / Bi-directional	
Media Type	Glass, Acrylic, Wood, Ceramic, Metal Sheet, PVC Sheet, Plastic etc.	
Media Thickness	Max. 100 mm	
Curing System	LED Curing System	
File Format	TIFF / JPEG / POSTSCRIPT3 / PDF	
RIP Software	RIPrint/ UNITEDFANCY	
Data Connector	USB 3.0	

Technical Parameters

Print Resolution	4 Pass : 720 x 600 DPI 6 Pass : 720 x 900 DPI 8 Pass : 720 x 1200 DPI
Power	220V AC, 50/60HZ
Power Consumption	3.5 KW
Head Cleaning	Automatic by Program / Positive Pressure Clean
Working Temperature	20°C - 28°C
Relative Humidity	40% - 60%
Machine Size / N.W.	4.6 m x 2.0 m x 1.45 m, 1200 kg
Packing Size / G.W.	4.7 m x 2.3 m x 1.65 m, 1600 kg





APPLICATIONS



Ceramic Tiles



Ceramic Tiles



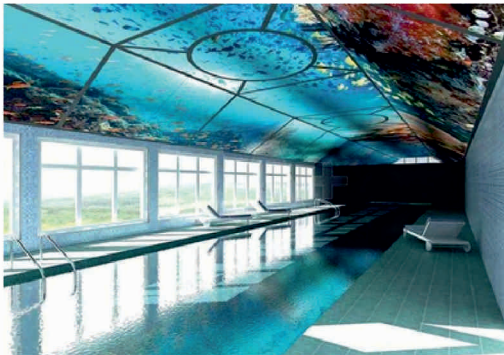
Metal



Metal



APPLICATIONS



Ceilings & Backlight



Ceilings & Backlight



Acrylic



Acrylic



APPLICATIONS



Signages



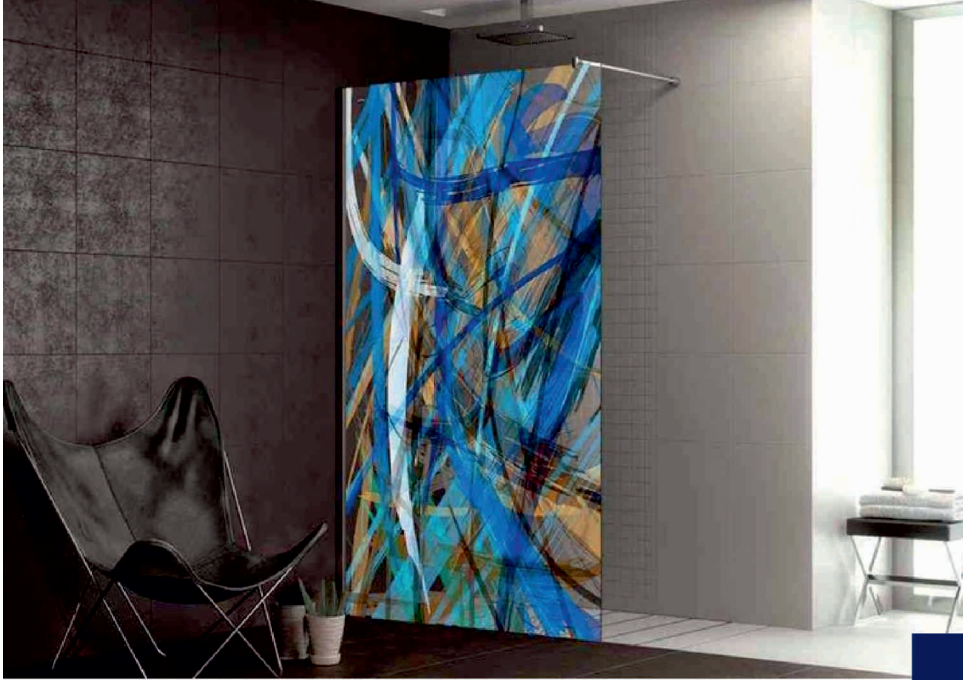
Signages



Wood, Plywood, Bamboo



Wood, Plywood, Bamboo



APPLICATIONS



Glass



Glass



Interior Decoration



Interior Decoration



APPLICATIONS



Roll Media



Roll Media



Wallpaper & Mural



Wallpaper & Mural

GET IN TOUCH



Vipul Patel



848-316-8660



info@vj-tools.com



www.vjtools.us